



ASSEMBLY INSTRUCTIONS

DESCRIPTION : DRESSER





MODEL : C8309A-045

REVISION : D

Component List

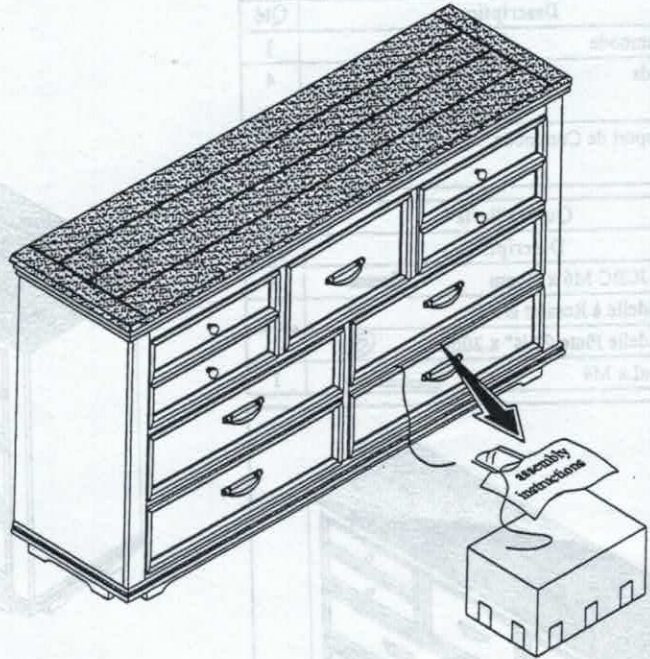
No	Descriptions	Qty
A	Dresser	1
B	Feet 	4
C	Dresser Support 	1

Hardware List

No	Descriptions	Qty
1	JCBC Screw M6 x 50mm 	4
2	Spring Washer Ø1/4" 	4
3	Flat Washer Ø1/4" x 20mm 	4
4	L Key M4 	1

STEP 1

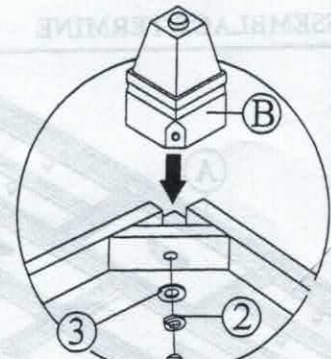
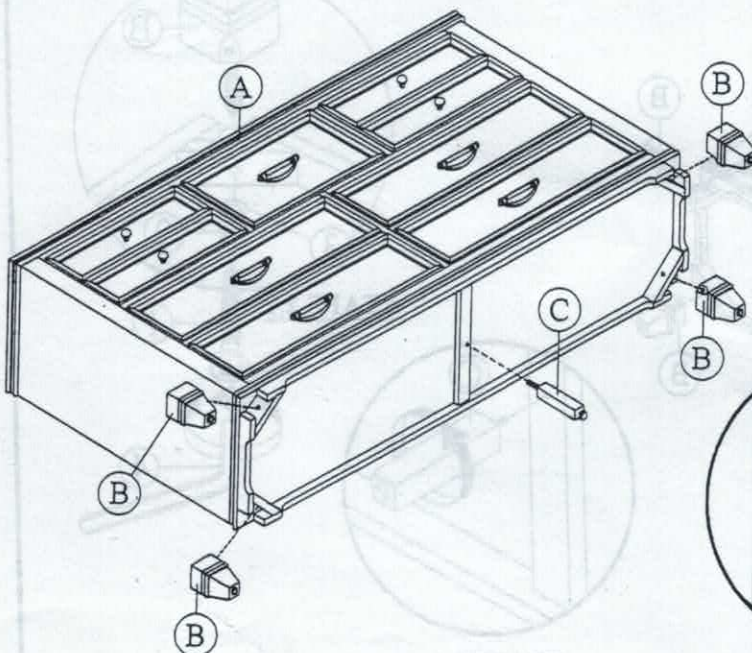
Take out assembly instructions sheet, hardware pack and feet packaging from the drawer which marked with the rope.



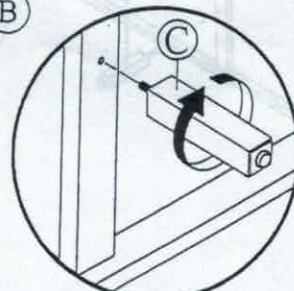
ASSEMBLY COMPLETED

STEP 2

Align & fasten Feet (B) to Dresser (A) using bolt (1), Lock Washer (2) and Flat Washer (3) and fully tighten with L key (4). Then, align and tighten Dresser Support (C) to bottom panel of Dresser (A).



STEP 2.1



STEP 2.2





NOTE : MUST TIGHTEN SCREWS PERIODICALLY WITH USE SCREW WILL BECOME LOOSE.
CHECK TIGHTNESS OF ALL SCREW EVERY 6-8 WEEKS.

ANTI - TIPPING KIT

FOR CHEST, DRESSER, PLASMA/TV CHEST & NIGHTSTAND (IF OVER 30")

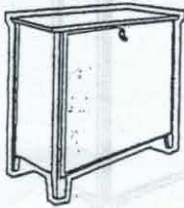
This Tip Restraint Must Be Attached To A Wall Stud Using Long Screw Enclosed

HARDWARE

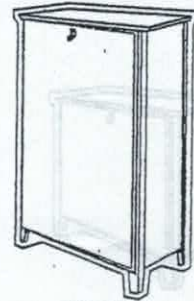
1.		Short screw	1 pc
2.		Long screw	1 pc
3.		Cable tie	1 pc.
4.		L Bracket	2 pcs

STEP 1

Attach a bracket securely to the back top rail of the casegoods using short screw provided, through the smaller hole.



NIGHTSTAND
(IF OVER 30")



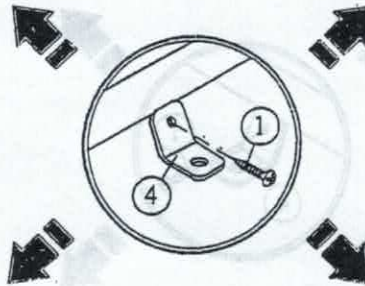
CHEST



DRESSER

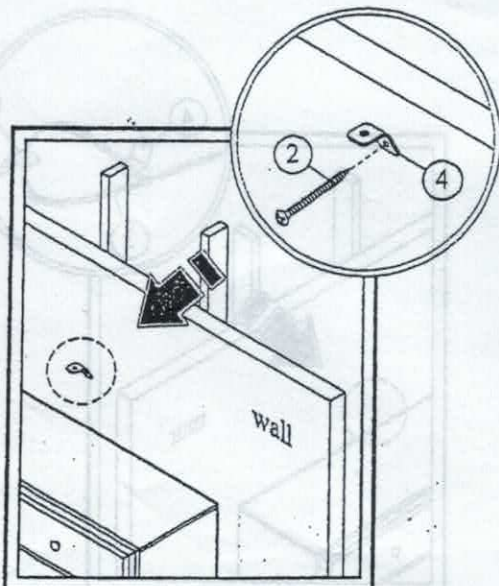


PLASMA / TV
CHEST



STEP 2

Locate the other bracket on the wall over a wall stud and two inches below the mounting bracket secured to the back of casegoods. Attached to the wall stud using the long screw provided, through the smaller hole.



STEP 3

Place the casegoods into position so both mounting brackets are vertically in line. Lace the end of the restraint strap through the larger hole in each mounting bracket. Bring both ends together and slide the flat end through the locking end and draw it through until all slack is removed. Confirm that the strap is securely laced and locked.

